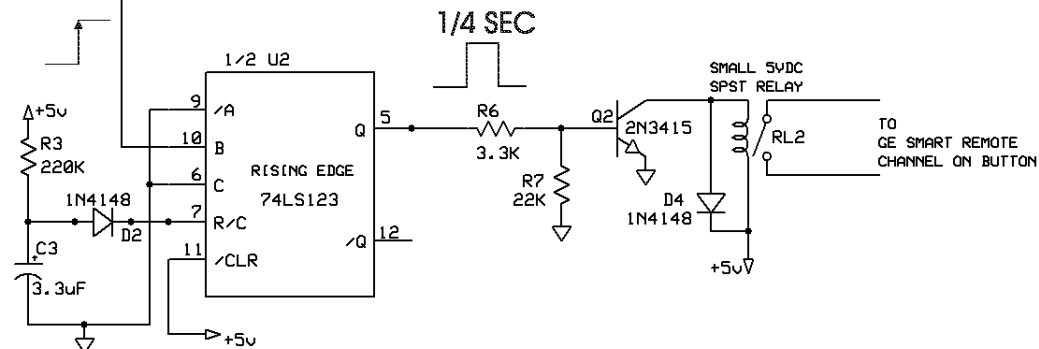


NOTES:

- 1) 74LS14 IS ONLY REQUIRED IF CONTROLLED BY A RELAY I/O OUTPUT ETHERNET CONTROLLER
- 2) ONLY ONE 74LS14 INVERTER IS NEEDED FOR A N.O. (NORMALLY OPEN) I/O OUTPUT RELAY



D.A. Buska Engineers LLC

GE Smart Remote Interface (1 Channel)

D. Buska

Rev 1.0

1/11/2011

1/1